

Installation guide

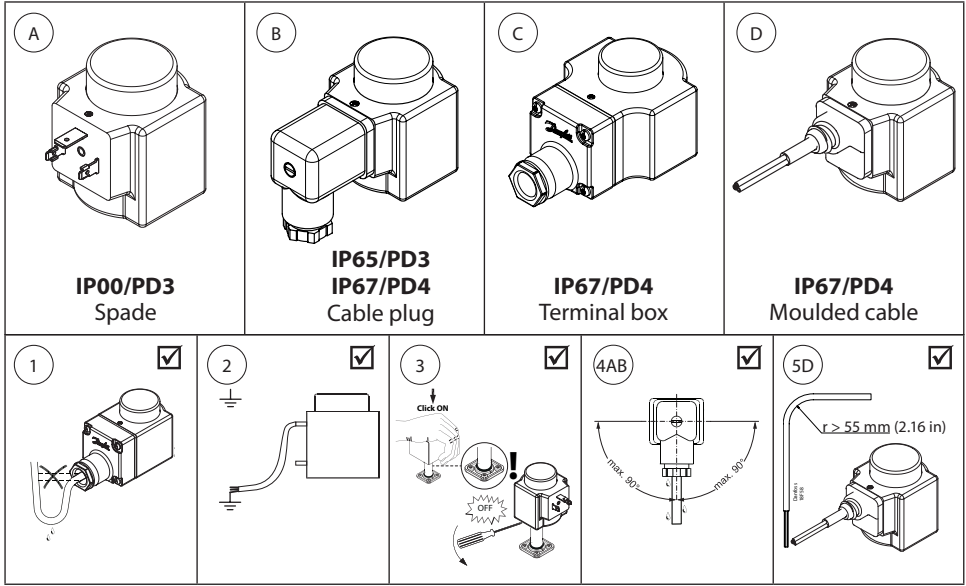
**Solenoid coil**

Type BB, BG, BQ, BT, BU, BY and BN



018R9670

018R9670

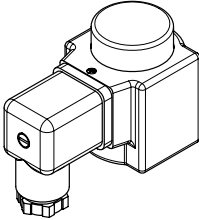
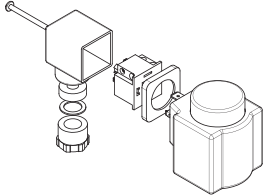
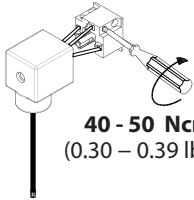
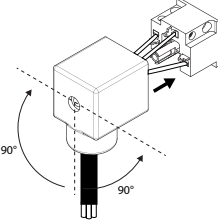
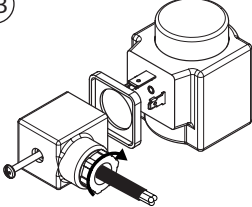
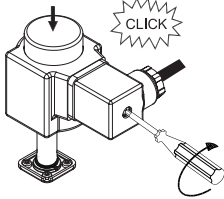
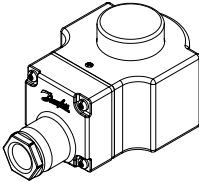
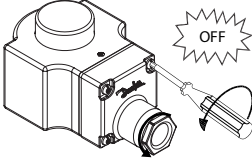
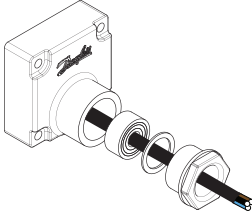
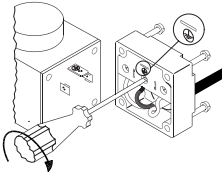
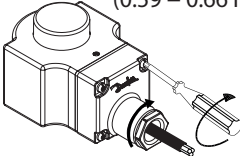
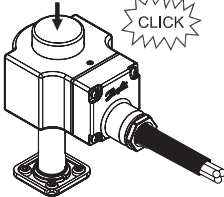


Type of control	1		
Class of protection	Class I		
Ambient temperature	See T <sub>ambient</sub> on coil		
Voltage variation	For voltage variation, see print on coil		
Voltage tolerances	For voltage tolerances see datasheet, when ordering the coil		
Humidity	Only none-conductive pollution occurs except that occasionally a temporary conductivity caused by condensation is to be expected.		
Ball pressure test	200 °C (392 °F)		
Impulse withstand voltage	Terminal box	4.0 kV at altitude <4000 m (13123 ft)	
	Cable	4.0 kV at altitude <4000 m (13123 ft)	
	Spade	4.0 kV at altitude <4000 m (13123 ft)	
	Plug	4.0 kV at altitude <2000 m (6561 ft)	
Overvoltage category	III		
Degree of protection IPXX Pollution degree PDX	Enclosure rating according to IEC standard 60529 Pollution degree according to EN60664-1	IP67 plug	PD4
		IP65 plug IP20 protection cap IP00 spade	PD3
Installation	Integrated control (picture A - D) Incorporated control (picture A - D) Independently mounted control (IP65 and IP67) (picture B - D)		
Suitable cable and conductor size for terminal box	ø6.6 – ø11 mm (ø0.26 – ø0.43 in) 0.75 – 1.5 mm <sup>2</sup> (21 – 15 AWG flexible cord)		
Suitable cable for cable plug	See datasheet when ordering the coil		
Moulded cable size	Ø6.6 mm (ø0.26 in)		
Cable conductor size	3 x 0.75 mm <sup>2</sup> (3 x 0.001 in <sup>2</sup> )		
Moulded cable	The supply cord of this control cannot be replaced, if the cord is damaged. The control should be discarded		
Plugs can be removed/mounted	10 times		
Surface temperature	Independently mounted controls should be sealed if the coil temperature exceed higher than 85°C		

- Only qualified personnel is allowed to install or maintain this product
- Disconnect the power when dismantling the coil
- Avoid direct exposure to alkaline conditions, use in neutral conditions is recommended
- If the coil is used as independently mounted control, the end-user shall use a plastic cable gland with strain relief
- Technical specifications are according to EN60730-1

Імпортер: ТОВ з іі "Данфосс ТОВ" 04080, Київ 80, п/с 168, Україна

Info for UK customers only: Danfoss Ltd., 22 Wycombe End, HP9 1NB, GB

<p>(B)</p> 	<p>(6B)</p> 	<p>(7B)</p>  <p><b>40 - 50 Ncm</b> (0.30 - 0.39 lb-ft)</p>
<p>(8B)</p> 	<p>(9B)</p>  <p><b>250 - 375 Ncm</b> (1.85 - 2.77 lb-ft)</p>	<p>(10B)</p>  <p><b>50 - 60 Ncm</b> (0.39 - 0.44 lb-ft)</p>
<p>(C)</p> 	<p>(6C)</p>  <p><b>OFF</b></p>	<p>(7C)</p> 
<p>(8C)</p>  <p><b>40 - 50 Ncm</b> (0.30 - 0.39 lb-ft)</p>	<p>(9C)</p>  <p><b>80 - 90 Ncm</b> (0.59 - 0.66 lb-ft)</p> <p><b>320 - 370 Ncm</b> (2.36 - 2.73 lb-ft)</p>	<p>(10C)</p>  <p><b>CLICK</b></p>

Visit [www.products.danfoss.com](http://www.products.danfoss.com) for further technical data  
 Para más información, visite [www.products.danfoss.es](http://www.products.danfoss.es)  
 Rendez-vous sur le site [www.products.danfoss.fr](http://www.products.danfoss.fr) pour plus de données techniques